



Nessen

NH829 "Tess" pendant
NH830 "Noelle" pendant

NH829 "Tess" pendant
NH830 "Noelle" pendant
 Wooding Design

Solid brass, 5" diam. canopy with hang straight.
 For ceiling box mounting.
 Two sockets controlled by separate wall switch.
 100W max. each or appropriate CFL lamping.
 ULcUL listed.

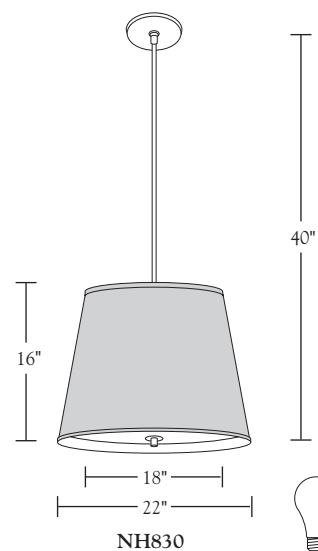
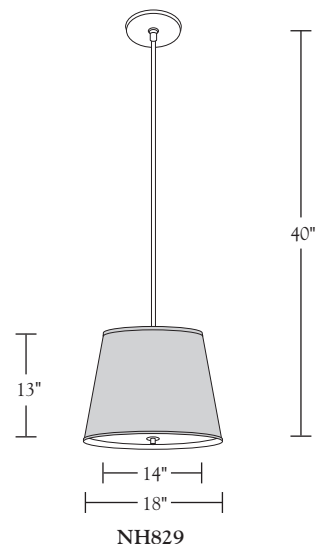
Standard Metal Finishes: Polished Brass, Brushed Brass,
 Antique Brass, Polished Chrome,
 Satin Chrome, Polished Nickel,
 Satin Nickel

Optional Finish: Baked Enamel Paint

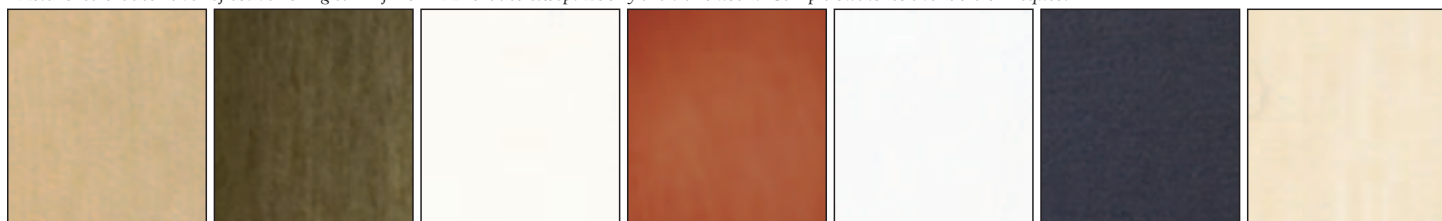
Shades: Shown on NH829: Cinnamon
 Shown on NH830: White Silk Pongee,
*See other standard shades below. Custom fabrics may be
 special ordered – please contact your Nessen representative.*

Shade Dimensions: NH829: B 18", T 14", H 13"
 NH830: B 22", T 18", H 16"

For modifications and special contract orders,
 see price list or contact your Nessen representative.



*Asterisked shades have reflective "silk gleam" finish. All shades except Ebony are translucent. Sample swatches available on request.



Aurora Gold

Bronze*

White Satin Weave

Cinnamon*

White Silk Pongee

Ebony (opaque)

Sandy*



P186 Ivory Silk Pongee

Amber*

China White

Celadon*

Pearl*

Onyx*

Titanium*

Nessen

420 Railroad Way, P.O. Box 187, Mamaroneck, NY 10543 Tel. 914 698 7799 Fax 914 698 5577 www.nessenlighting.com