



Nessen

NT1471 Solid brass table lamp

NT1471 Solid brass table lamp

Solid brass construction. 7" square base, 3" square column.
White perforated top disc for downlight.
On/Off switch on base controls one medium base socket.
150W max. each. UL listed.

Metal Finishes:

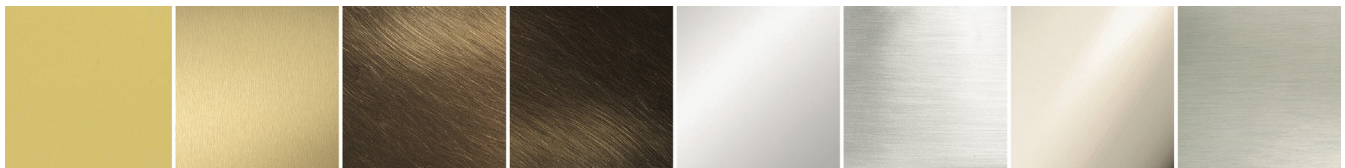
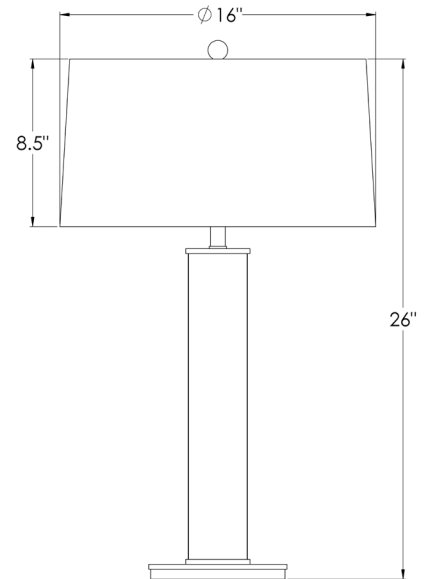
Polished Brass, Brushed Brass, Antique Brass, Dark Antique Brass
Polished Chrome, Satin Chrome, Polished Nickel, Satin Nickel

Painted Finishes:

Modern Black, Timeless White, Dark Bronze, Gunmetal Grey

Shades:

White Linen



Polished Brass

Brushed Brass

Antique Brass

Dark Antique Brass

Polished Chrome

Satin Chrome

Polished Nickel

Satin Nickel

For modifications and special contract orders, visit www.nessenlighting.com