



Nessen

NH260 Solid brass pendant lamp

NH260 solid brass pendant lamp

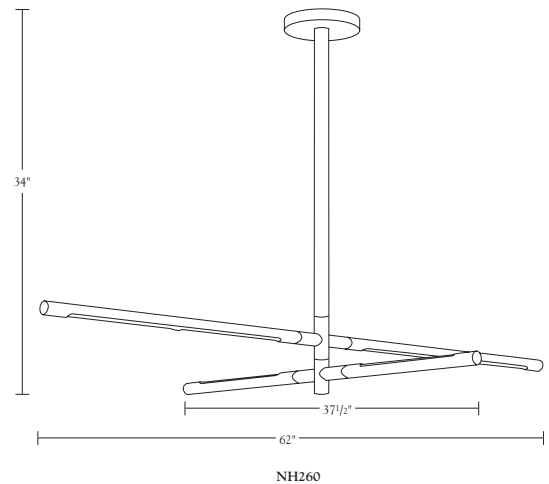
Solid brass construction. 6" x 1-3/4" canopy.
1-1/8" diameter arms.
Each module comprises an 8W LED board mounted on proprietary heat sink (patent pending).
Two LED modules output 1440 lumens, using 16W.
Controlled by separate wall switch.
3000K warm white color temperature at 85 CRI.
Submitted for UL/cUL listing.
LEED suitable. Energy Star efficient.

Metal Finishes:

Polished Brass, Brushed Brass, Antique Brass, Dark Antique Brass, Polished Chrome, Satin Chrome, Polished Nickel, Satin Nickel

Optional Painted Finish:

Black Gloss, Light Bronze, Metallic Copper, Chiffon Yellow, Dark Teal, Emerald Green, Federal Blue, Fresh Crème, Matte Black, Metallic Grey, Red Clay, Red Garnet, Racing Red, Summer Blue, Sandbar Tan, White Gloss



For modifications and special contract orders, visit www.nessenlighting.com