



Nessen

NT512 23" table lamp with porcelain base

NT512 table lamp with porcelain base

White porcelain base, white spun aluminum collar.
9" footprint. 1" diameter brass column.
White perforated top disc for down-light.
Cord exits through bottom of column.
3-way switch controls one medium base socket.
150W max. Bulb not included; can be ordered separately.
UL/cUL listed.

Metal Finishes:

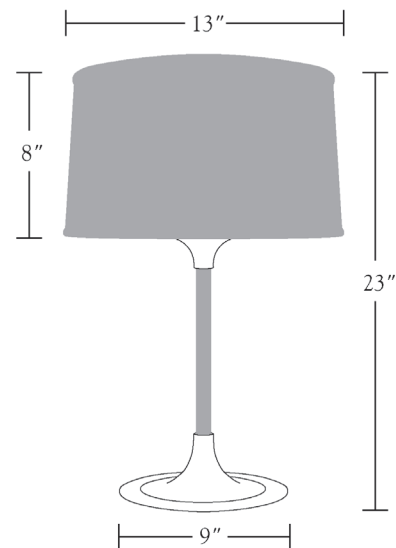
Polished Brass, Brushed Brass, Antique Brass, Dark Antique Brass,
Polished Chrome, Satin Chrome, Polished Nickel, Satin Nickel

Shades:

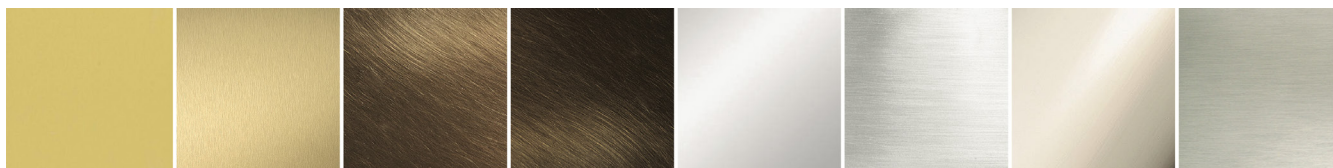
White Semi-Gloss Paper with White Lining, White Linen

Shade Dimensions:

B 13", T13", H 8"



NT512



Polished Brass

Brushed Brass

Antique Brass

Dark Antique Brass

Polished Chrome

Satin Chrome

Polished Nickel

Satin Nickel

For modifications and special contract orders, visit www.nessenlighting.com